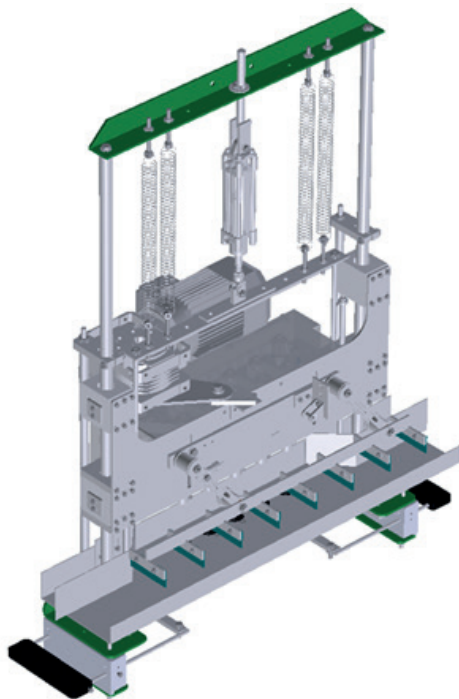


DRILL UNIT

TECHNICAL SHEET

This drill units is easy to incorporate and control and can be build in on conveyer. It is a strong construction with selfcleaning/re-use substrate.

- We should be pleased to offer you this from our standard assortment.



SPECIFICATIONS

- Diameter: Various
- Depth: Adjustable
- No. of drills: Custom made for tray
- Weight: 50 kg

PARTS INCLUDED

- Manual: English
- CE-certified: CE or UL, CSA

ELECTRICITY

- Supply: 3*400/240 volt + 0 + ground



ELLEPOT®

GROW SMARTER

Storstrømsvej 55
DK - 6715 Esbjerg N
Tel.: +45 7614 7676

www.ellepot.com

