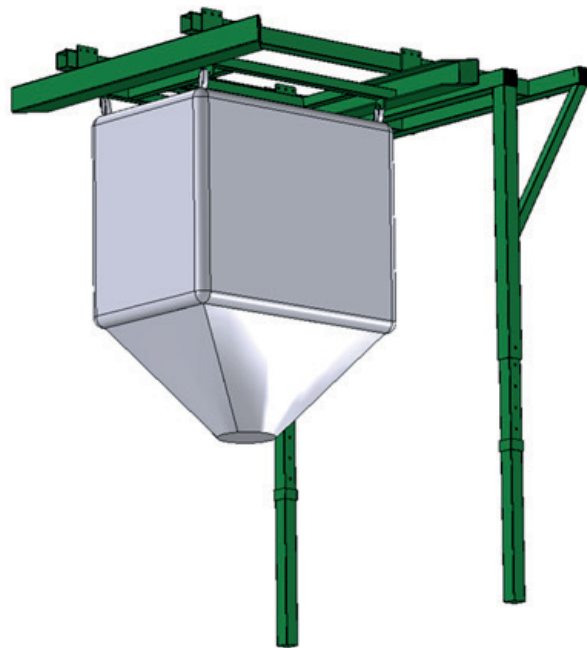


ARMS FOR LIFTING BIGBAG

TECHNICAL SHEET

We should be pleased to offer you this from our standard assortment.



SPECIFICATIONS

- Capacity: Max ___ kg
- BigBag dimension: Max 1 x 1 m
- Max pressure: 10 bar
- Weight: 165 kg

PARTS INCLUDED

- Arms for lifting: Yes
- Manual: English



ELLEPOT®

GROW SMARTER

Storstrømsvej 55
DK - 6715 Esbjerg N
Tel.: +45 7614 7676

www.ellepot.com

